

**BEFORE THE ILLINOIS POLLUTION CONTROL BOARD  
OF THE STATE OF ILLINOIS**

WRB REFINING, LLC )  
NOx Analyzer Systems for Boiler Nos. 15, 16 & 17, )  
Fuel Gas Boilers )  
)  
) PCB 14-  
) (Tax Certification - Air)  
PARCEL NUMBER )  
19-1-08-35-00-000-001 or portion thereof )

**NOTICE**

TO: [*Electronic filing*]  
John Therriault, Clerk  
Illinois Pollution Control Board  
State of Illinois Center  
100 W. Randolph Street, Suite 11-500  
Chicago, Illinois 60601

[*Service by mail*]  
Michael Kemp  
WRB Refining, LLC  
404 Phillips Building  
Bartlesville, Oklahoma 74004

[*Service by mail*]  
Steve Santarelli  
Illinois Department of Revenue  
101 West Jefferson  
P.O. Box 19033  
Springfield, Illinois 62794

PLEASE TAKE NOTICE that I have today electronically filed with the Office of the Pollution Control Board the **APPEARANCE** and **RECOMMENDATION** of the Illinois Environmental Protection Agency, a paper copy of which is herewith served upon the applicant and a representative of the Illinois Department of Revenue.

Respectfully submitted by,

/s/ Robb H. Layman

Robb H. Layman  
Assistant Counsel

Date: December 12, 2011

ILLINOIS ENVIRONMENTAL PROTECTION AGENCY  
1021 North Grand Avenue East  
P.O. Box 19276  
Springfield, IL 62794-9276  
Telephone: (217) 524-9137

**BEFORE THE ILLINOIS POLLUTION CONTROL BOARD  
OF THE STATE OF ILLINOIS**

WRB REFINING, LLC	)	
NOx Analyzer Systems for Boiler Nos. 15, 16 & 17,	)	
Fuel Gas Boilers	)	
	)	PCB 14-
	)	(Tax Certification - Air)
PARCEL NUMBER	)	
19-1-08-35-00-000-001 or portion thereof	)	

**APPEARANCE**

I hereby file my Appearance in this proceeding on behalf of the Illinois Environmental Protection Agency.

Respectfully submitted by,

/s/ Robb H. Layman  
Robb H. Layman  
Assistant Counsel

Date: December 12, 2013

ILLINOIS ENVIRONMENTAL PROTECTION AGENCY  
1021 North Grand Avenue East  
P.O. Box 19276  
Springfield, Illinois 62794-9276  
Telephone: (217) 524-9137

**BEFORE THE ILLINOIS POLLUTION CONTROL BOARD  
OF THE STATE OF ILLINOIS**

WRB REFINING, LLC	)	
NOx Analyzer Systems for Boiler Nos. 15, 16 & 17,	)	
Fuel Gas Boilers	)	
	)	PCB 14-
	)	(Tax Certification - Air)
PARCEL NUMBER	)	
19-1-08-35-00-000-001 or portion thereof	)	

**RECOMMENDATION**

NOW COMES the ILLINOIS ENVIRONMENTAL PROTECTION AGENCY (“Illinois EPA”), through its attorneys, and pursuant to 35 Ill. Adm. Code 125.204 of the ILLINOIS POLLUTION CONTROL BOARD’S (“Board”) procedural regulations, files the Illinois EPA’s Recommendation in the above-referenced request for tax certification of pollution control facilities. The Illinois EPA recommends **issuance** of a tax certification covering the subject matter of the request. In support thereof, the Illinois EPA states as follows:

1. On or about October 14, 2010, the Illinois EPA received an application and supporting information from WRB REFINING, LLC, (“WRB Refining”) concerning the proposed tax certification of certain air emission sources and/or equipment located at its Wood River petroleum refinery in Madison County, Illinois. A copy of the application is attached hereto. **[Exhibit A]**.

2. The applicant’s principal business address is as follows:

WRB Refining LLC  
404 Phillips Building  
Bartlesville, Oklahoma 74004

3. The facility address is as follows:

WRB Refining LLC  
900 South Central Avenue  
P.O. Box 76  
Roxana, Illinois 62084

4. The subject matter of this request consists of Nitrogen Oxides (“NOx”) Analyzer Systems, which will continuously monitor the emission stacks of three fuel gas boilers at the refinery. As described in the application, the project involved the installation of NOx Analyzers on Boiler Nos. 14, 15 & 16 to comply with the monitoring requirements of the Board’s Part 217 regulations. *See*, Exhibit A, page 1 at Section D. The new analyzers enable the source to continuously monitor NOx emissions and allow prompt response time to address potential noncompliance and/or other matters relating to boiler operations. *Id.* Additionally, the project included the replacement of “an existing fuel gas composition analyzer for use with flow meters to monitor fuel gas composition and flow as required.” *Id.* Continuous emissions monitoring systems are an integral part (if not appurtenance thereto) of air pollution control technology and a source’s overall pollution control strategy, and therefore act to prevent or reduce contaminants that would otherwise be emitted to the atmosphere.

5. Section 11-10 of the Property Tax Code, 35 ILCS 200/11-10 (2002), defines “pollution control facilities” as:

“any system, method, construction, device or appliance appurtenant thereto, or any portion of any building or equipment, that is designed, constructed, installed or operated for the primary purpose of: (a) eliminating, preventing, or reducing air or water pollution... or (b) treating, pretreating, modifying or disposing of any potential solid, liquid, gaseous pollutant which if released without treatment, pretreatment, modification or disposal might be harmful, detrimental or offensive to human, plant or animal life, or to property.”

6. Pollution control facilities are entitled to preferential tax treatment, as provided by 35 ILCS 200/11-5 (2002).

7. Based on information in the application and the primary purpose of the NOx Analyzer Systems to prevent, eliminate or reduce air pollution, it is the Illinois EPA’s engineering judgment that the systems may be considered as “pollution control facilities” in accordance with the statutory definition and consistent with the Board’s regulations at 35 Ill.

Adm. Code 125.200. **[Exhibit B]**. It can be noted that the Illinois EPA's evaluation is in keeping with prior recommendations, and subsequent Board action relating to the same, that involved analogous requests for tax certification.<sup>1</sup>

8. Because the applicant's request concerning the NOx Analyzer Systems for Boiler Nos. 15, 16 and 17 of the fuel gas boilers satisfy the aforementioned criteria, the Illinois EPA recommends that the Board **issue** the applicant's requested tax certification.

Respectfully submitted by,

/s/ Robb H. Layman

Robb H. Layman  
Assistant Counsel

DATED: December 12, 2013

ILLINOIS ENVIRONMENTAL PROTECTION AGENCY  
1021 North Grand Avenue East  
P.O. Box 19276  
Springfield, Illinois 62794-9276  
Telephone: (217) 524-9137

---

<sup>1</sup> See, *WRB Refining, LLC v. Illinois EPA*, PCB No. 12-90 (order granting tax certification (air), dated February 2, 2012, for Continuous Emission Monitoring System); *WRB Refining, LLC v. Illinois EPA*, PCB No. 12-73 (order granting tax certification (air), dated February 2, 2012, for CEMS analyzers for furnaces); *Marathon Ashland Petroleum, LLC v. Illinois EPA*, PCB No 07-55 (order granting tax certification (air), dated January 26, 2007, for Continuous Emissions Monitoring System).

**CERTIFICATE OF SERVICE**

I hereby certify that on the 12<sup>th</sup> day of December, 2013, I electronically filed the following instruments entitled **NOTICE, APPEARANCE** and **RECOMMENDATION** with:

John Therriault, Clerk  
Illinois Pollution Control Board  
100 West Randolph Street  
Suite 11-500  
Chicago, Illinois 60601

and, further, that I did send a true and correct paper copy of the same foregoing instruments, by First Class Mail with postage thereon fully paid and deposited into the possession of the United States Postal Service, to:

Steve Santarelli  
Illinois Department of Revenue  
101 West Jefferson  
P.O. Box 19033  
Springfield, Illinois 62794

Michael Kemp  
WRB Refining, LLC  
404 Phillips Building  
Bartlesville, Oklahoma 74004

/s/ Robb H. Layman  
Robb H. Layman  
Assistant Counsel

APPLICATION FOR CERTIFICATION (PROPERTY TAX TREATMENT)

POLLUTION CONTROL FACILITY

AIR  WATER

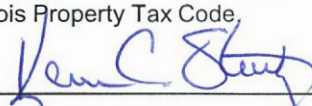
ILLINOIS ENVIRONMENTAL PROTECTION AGENCY  
P. O. Box 19276, Springfield, IL 62794-9276

This Agency is authorized to request this information under Illinois Revised Statutes, 1979, Chapter, 120, Section 502a-5. Disclosure of this information is voluntary. However, failure to comply could prevent your application from being processed or could result in denial of your application for certification.

FOR AGENCY USE

File No.	Date Received	Certification No.	Date	
Sec. A           APPLICANT	Company Name WRB Refining LLC			
	Person Authorized to Receive Certification Michael Kemp		Person to Contact for Additional Details Gordon Terhune	
	Street Address 404 Phillips Building		Street Address 900 S. Central Ave., P.O. Box 76	
	Municipality, State & Zip Code Bartlesville, OK 74004		Municipality, State & Zip Code Roxana, IL 62084	
	Telephone Number (918) 661-9055		Telephone Number (618) 255-2876	
	Location of Facility Quarter Section                  Township                  Range		Municipality                  Township	
	Street Address 900 S. Central Ave.		County                  Book Number Madison	
	Property Identification Number		Parcel Number 19-1-08-35-00-000-001	
	Sec. B     MANUFACTURING OPERATIONS	Nature of Operations Conducted at the Above Location Petroleum Refining		
Water Pollution Control Construction Permit No.		Date Issued		
NPDES PERMIT No. IL0000205		Date Issued 04/14/04	Expiration Date 04/14/09	
Air Pollution Control Construction Permit No. NA		Date Issued		
Air Pollution Control Operating Permit No. 95120306		Date Issued 11/07/03		
Sec. C   MANUFACTURING PROCESS	Describe Unit Process Boilers 15, 16, and 17 burn refinery fuel gas to produce high pressure steam for use in the refinery. Fuel fired boilers produce nitrogen oxides (NOx) which is a pollutant released to the atmosphere. NOx is formed when nitrogen and oxygen in the combustion air combine with one another.			
	Materials Used in Process Boiler Feed Water Refinery Fuel Gas Flue Gas to atmosphere			
Sec. D  POLLUTION CONTROL FACILITY DESCRIPTION	Describe Pollution Abatement Control Facility This project installed NOx analyzer systems on the stacks of Boilers 15, 16, and 17 to continuously monitor NOx emissions to comply with Illinois EPA Regulation part 217. In addition, the project replaced a fuel gas composition analyzer for use with flow meters to monitor fuel gas composition and flow as required. This project reduces air pollution as the new analyzers will require boiler operation to be revised to reduce NOx emissions when the NOx emissions limits are approached. This project was installed solely as a means to measure and reduce NOx emissions to atmosphere.			

Exhibit A

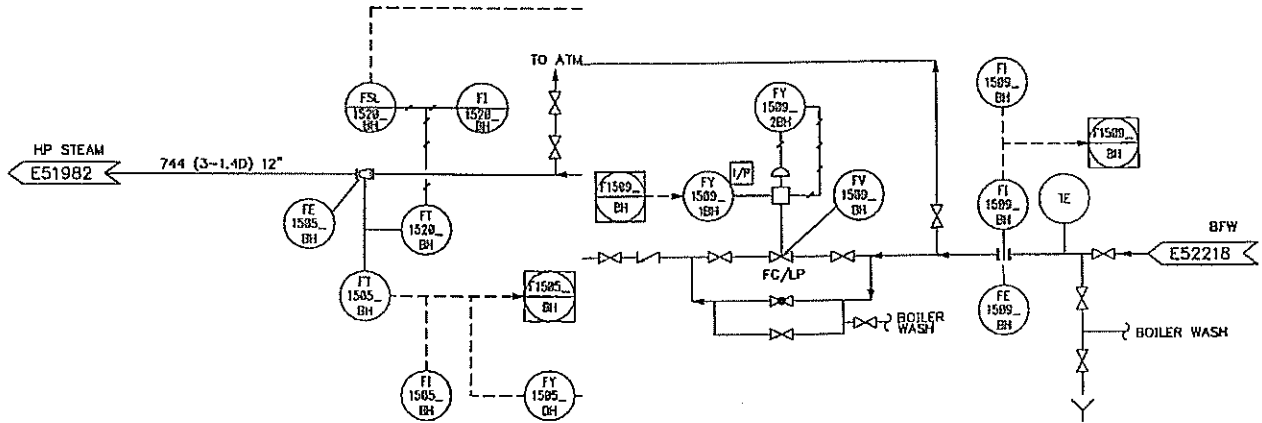
POLLUTION CONTROL FACILITY - CONTAI	Sec. E	(1) Nature of Contaminants or Pollutants		
	ITS		Material Retained, Captured or Recovered	
	CONTAI	Contaminant or Pollutant	DESCRIPTION	DISPOSAL OR USE
		NOx	N2	N2 not converted to NOx
		(2) Point(s) of Waste Water Discharge		
			Plans and Specifications Attached	Yes <input checked="" type="checkbox"/> No <input type="checkbox"/>
		(3)	Are contaminants (or residues) collected by the control facility?	Yes <input type="checkbox"/> No <input checked="" type="checkbox"/>
ACCOUNTING DATA	Sec. F	(4) Date installation completed <u>05/01/04</u> status of installation on date of application <u>100%</u>		
		(5)	a. TOTAL INSTALLED COST	\$ 1,061,000.00
			b. NET SALVAGE VALUE IF CONSIDERED REAL PROPERTY:	\$ 0.00
			c. PRODUCTIVE GROSS ANNUAL INCOME OF CONTROL FACILITY:	\$ 0.00
			d. PRODUCTIVE NET ANNUAL INCOME OF CONTROL FACILITY:	\$ 0.00
			e. PERCENTAGE CONTROL FACILITY BEARS TO WHOLE FACILITY VALUE:	% To Be Determined
SIGNATURE		The following information is submitted in accordance with the Illinois Property Tax Code, as amended, and to the best of my knowledge, is true and correct. The facilities claimed herein are "pollution control facilities" as defined in Section 11-10 of the Illinois Property Tax Code.		
			<u>DIRECTOR - PTRRC</u>	
		Signature	Title	
INSTRUCTIONS	Sec. G	INSTRUCTIONS FOR COMPILING AND FILING APPLICATION		
		General: Separate applications must be completed for each control facility claimed. Do not mix types (water and air). Where both air and water operations are related, file two applications. If attachments are needed, record them consecutively on an index sheet.		
	Sec. A	Information refers to applicant as listed in the tax records and the person to be contacted for further details or for inspection of facilities. Define facility location by street address or legal description. A plat map location is required for facilities located outside of municipal boundaries. The property identification number is required.		
	Sec. B	Self-explanatory. Submit copies of all permits issued by local pollution control agencies. (e.g. MSD Construction Permit)		
	Sec. C	Refers to manufacturing processes or materials on which pollution control facility is used.		
	Sec. D	Narrative description of the pollution control facility, indicating that its primary purpose is to eliminate, prevent or reduce pollution. State the type of control facility. State permit number, date, and agency issuing permit. A narrative description and a process flow diagram describing the <u>pollution control facility</u> . Include a listing of each major piece of equipment included in the claimed fair cash value for real property. Include an <u>average</u> analysis of the influent and effluent of the control facility stating the collection efficiency.		
	Sec. E	List air contaminants, or water pollution substances released as effluents to the manufacturing processes. List also the final disposal of any contaminants removed from the manufacturing processes. Item (1) - Refers to pollutants and contaminants removed from the process by the pollution control facility. Item (2) - Refers to water pollution but can apply to water-carried wastes from air pollution control facilities. Submit drawings, which clearly show (a) Point(s) of discharge to receiving stream, and (b) Sewers and process piping to and from the control facility. Item (3) - If the collected contaminants are disposed of other than as wastes, state the disposition of the materials, and the value in dollars reclaimed by sale or reuse of the collected substances. State the cost of reclamation and related expense. Item (4) - State the date which the pollution control facility was first placed in service and operated. If not, explain. Item (5) - This information is essential to the certification and assessment actions. This accounting data must be completed to activate project review prior to certification by this Agency.		
	Sec. F	Self-explanatory. Signature must be a corporate authorized signature.		
		Submit to:	Attention:	Attention:
		Illinois EPA P.O. Box 19276 Springfield, IL 62794-9276	Al Keller Permit Section Division of Water Pollution Control	Donald E. Sutton Permit Section Division of Air Pollution Control



\*\* EQUIPMENT ID NUMBERS \*\*  
 ADD. DEPT'S  
 ZEP. UNITS

GENERAL NOTES:

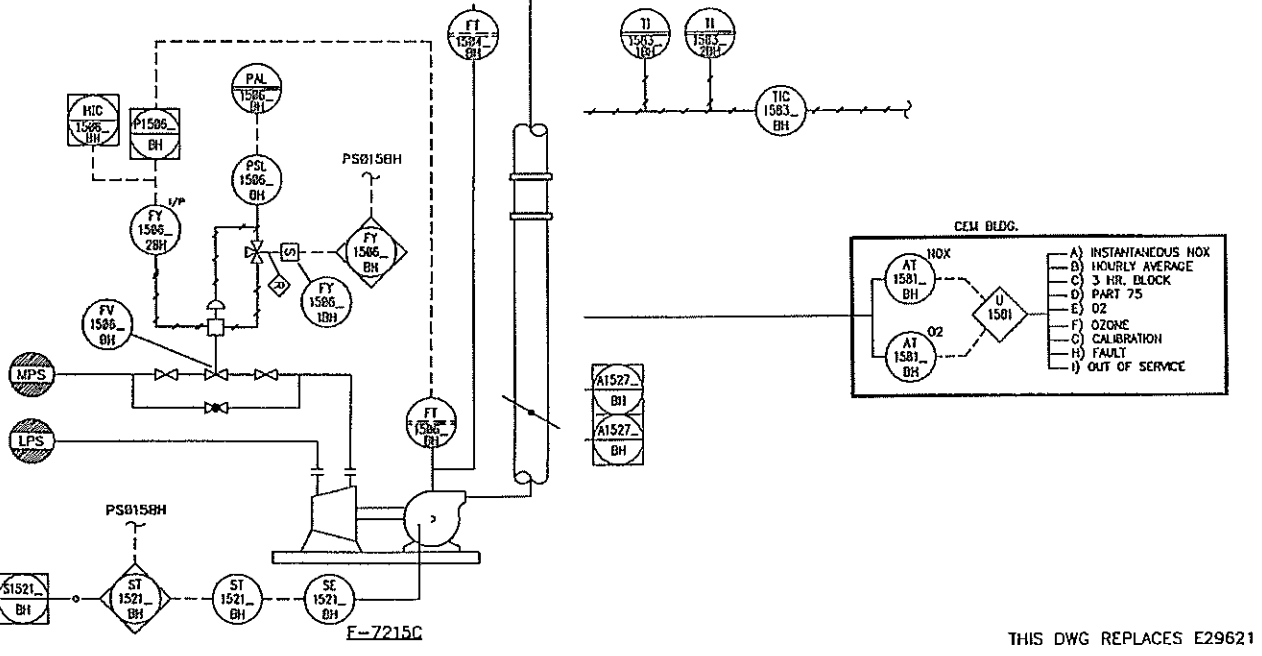
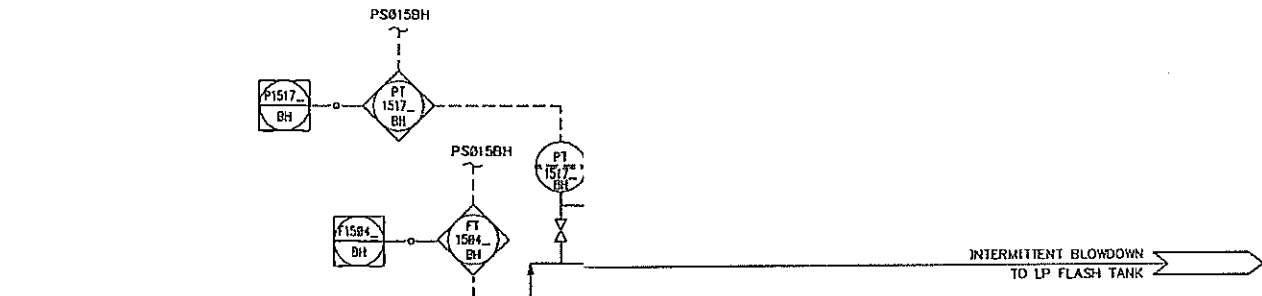
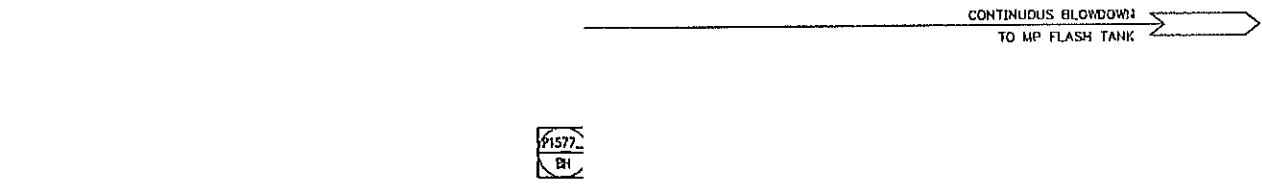
- 1) FOR LEGENDS AND SYMBOLS, GENERAL NOTES AND NOMENCLATURE, SEE DWGS. E33520, E33522, E38482, E38483, C38484 AND E38485.
- 2) FOR STEAM DRUM LEVEL CONTROL P&ID SEE E61124
- 3) FOR BURNER P&ID SEE E61452, E61453, E61454, E61454.



~NOTICE~  
 THIS DRAWING FORM INCLUDES IMPORTANT ATTRIBUTE INFORMATION. IT SHOULD NOT BE EXPLODED WITHOUT APPROVAL FROM WOOD RIVER REFINERY.

~NOTICE~  
 ANY ATTACHED XREF DRAWINGS MUST BE BOUND TO THIS DRAWING BEFORE DRAWING CAN BE ISSUED TO WOOD RIVER REFINERY.

~NOTICE~  
 THIS DOCUMENT IS THE PROPERTY OF WOOD RIVER REFINERY (WR). NEITHER THIS DOCUMENT NOR ANY DATA OR INFORMATION HEREIN SHALL BE REPRODUCED OR TRANSMITTED IN ANY FORM OR BY ANY MEANS, ELECTRONIC OR MECHANICAL, WITHOUT THE WRITTEN PERMISSION OF WR. IF THIS DOCUMENT IS LOANED BY OR WITH AUTHORITY OF WR, THE BORROWER, IN CONSIDERATION OF SUCH LOAN AGREES TO THE FOREGOING CONDITIONS AND TO RETURN THIS DOCUMENT UNCHANGED.



CEM BLDG.

AT 1581 BH	A) INSTANTANEOUS NOX
AT 1581 BH	B) HOURLY AVERAGE
AT 1581 BH	C) 3 HR. BLOCK
AT 1581 BH	D) PART 75
AT 1581 BH	E) O2
AT 1581 BH	F) OZONE
AT 1581 BH	G) CALIBRATION
AT 1581 BH	H) FAULT
AT 1581 BH	I) OUT OF SERVICE

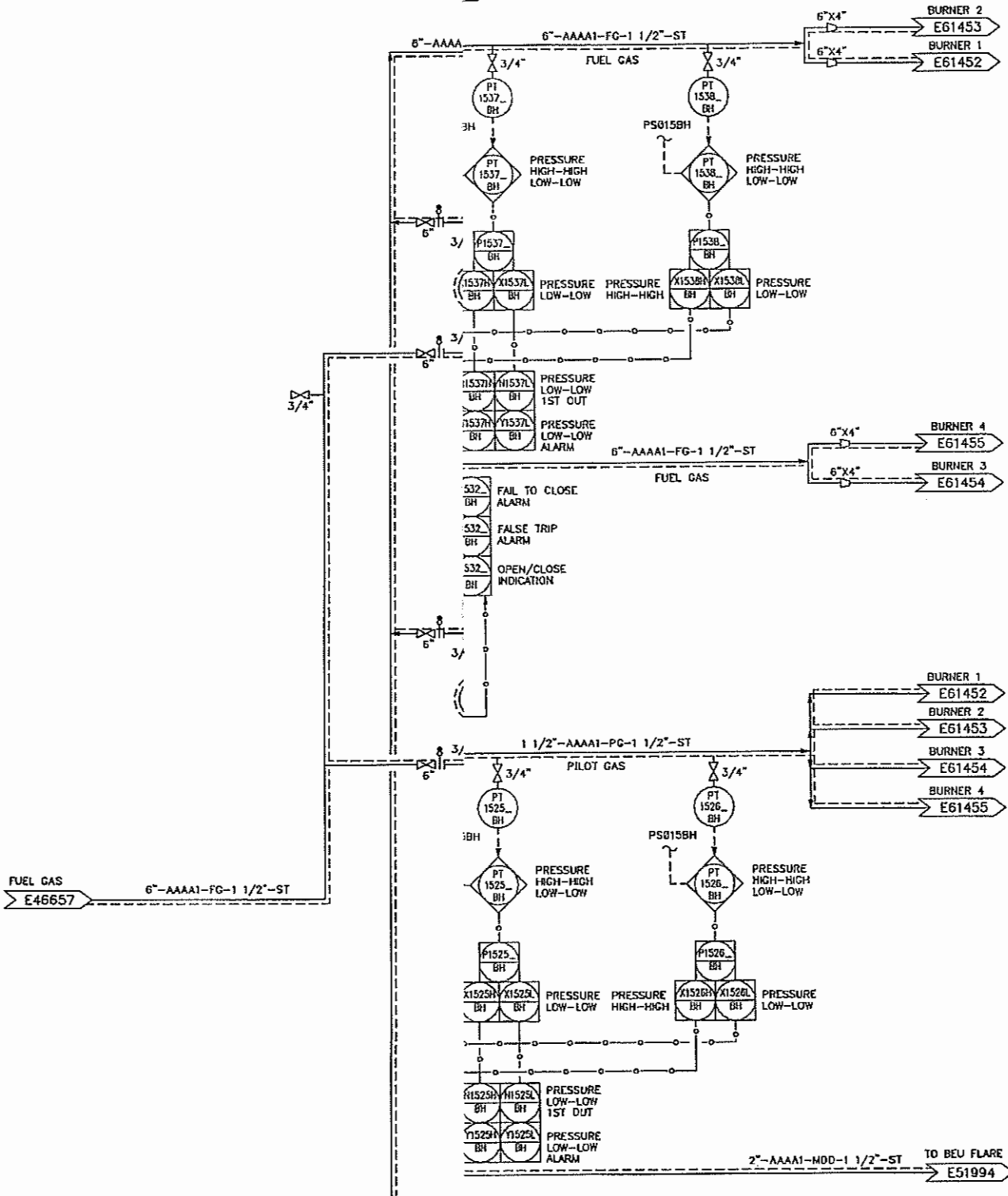
THIS DWG REPLACES E29621

Wood River Refinery		ILLINOIS	MASTER DRAWING YES/NO: YES
BOILER 15			PLOT SCALE: NONE
INDUCED DRAFT FANS F-7215 & F-7215C			SCALE: NONE
R FEED WATER PREHEATER T-3175			SHEET 1 OF 1 REV.
ITEMS	CAZ	GENERAL	E 61123 0
R 15	TYPE	P&ID DWG	

GENERAL NOTES:

1) FOR LEGENDS AND SYMBOLS, GENERAL NOTES AND NOMENCLATURE, SEE DWGS. E33520, E33522, E38482, E38483, E38484 AND E38485.

BOILER 1519  
 DIMENSION: 3H FAIL TO CLOSE ALARM  
 TYPE: 319 FALSE TRIP ALARM  
 DESIGN: 319 FALSE TRIP ALARM  
 OPERATING: 319 OPEN/CLOSE INDICATION  
 MATERIAL: 319 OPEN/CLOSE INDICATION  
 INSULATION: 3H  
 TRIM: 3H



EQUIPMENT ID NUMBERS  
 ADD. ZEPHS  
 ADD. UNITS  
 -NOTICE-  
 ANY ATTACHED XREF DRAWINGS MUST BE BOUND TO THIS DRAWING FORM INCLUDES IMPORTANT ATTRIBUTE INFORMATION IT SHOULD NOT BE EXPLODED WITHOUT APPROVAL FROM WOOD RIVER REFINERY.  
 -NOTICE-  
 THIS DOCUMENT IS THE PROPERTY OF WOOD RIVER REFINERY (WRR). IT IS TO BE USED ONLY FOR THE PROJECT AND PURPOSE FOR WHICH IT WAS ISSUED. IT IS NOT TO BE REPRODUCED OR TRANSMITTED IN ANY MANNER, LOANED OR OTHERWISE DISPOSED OF IN ANY MANNER WITHOUT THE WRITTEN PERMISSION OF WRR. THE ENGINEER, BY ACCEPTANCE OF THIS DRAWING, AGREES TO THE FOREGOING CONDITIONS AND TO RETURN THIS DOCUMENT UPON REQUEST.  
 THIS DRAWING IS THE PROPERTY OF WOOD RIVER REFINERY (WRR). IT IS TO BE USED ONLY FOR THE PROJECT AND PURPOSE FOR WHICH IT WAS ISSUED. IT IS NOT TO BE REPRODUCED OR TRANSMITTED IN ANY MANNER, LOANED OR OTHERWISE DISPOSED OF IN ANY MANNER WITHOUT THE WRITTEN PERMISSION OF WRR. THE ENGINEER, BY ACCEPTANCE OF THIS DRAWING, AGREES TO THE FOREGOING CONDITIONS AND TO RETURN THIS DOCUMENT UPON REQUEST.

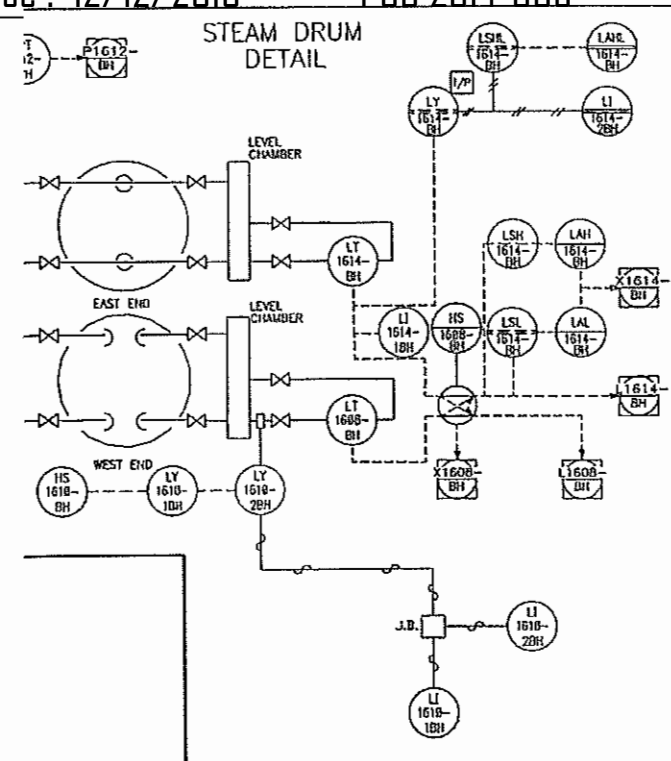
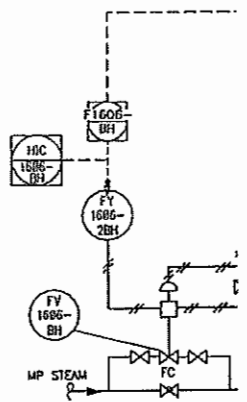
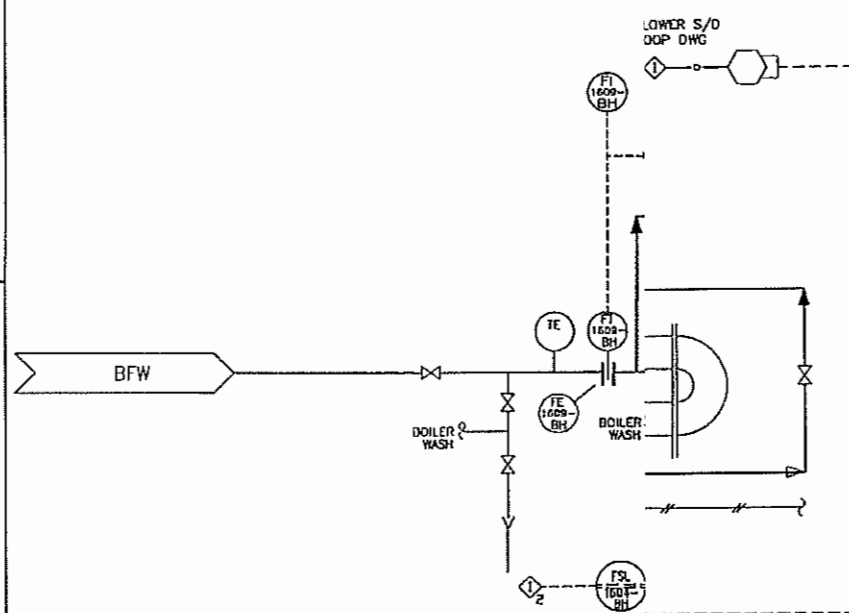
Wood River Refinery		ILLINOIS	MASTER DRAWING YES/NO: YES
BOILER 15			PLOT SCALE:
FILTER/COALESCERS V-1170 & V-1171			SCALE: NONE
TTIES		CAP.	SHEET 1 OF 1 REV.
ER 15		77PR	E 61122 0
		GENERAL	FORM DMC REVISED 04/19/06
		P&ID DWG	

THIS DOCUMENT IS THE PROPERTY OF WOOD RIVER REFINERY (WRR). NEITHER THIS DOCUMENT NOR ANY DATA OR INFORMATION HEREON SHALL BE COPIED, REPRODUCED, TRANSMITTED, OR DISSEMINATED IN ANY MANNER WITHOUT THE WRITTEN PERMISSION OF WRR. IF THIS DOCUMENT IS LOANED BY OR WITH AUTHORITY OF WRR, THE BORROWER, IN CONSIDERATION OF SUCH LOAN, AGREES TO THE FOLLOWING CONDITIONS AND TO RETURN THIS DOCUMENT UPON REQUEST.

WRR DEPT 3  
WRR UNIT 3

MICROFILM  
REV. NO. DATE INITIAL

~NOTICE~  
ANY ATTACHED XREF DRAWINGS MUST BE BOUND TO THIS DRAWING FORM INCLUDES IMPORTANT ATTRIBUTE INFORMATION. IT SHOULD NOT BE EXPLODED WITHOUT APPROVAL FROM WOOD RIVER REFINERY.



**NOTES: UNLESS OTHERWISE SPECIFIED**

- ◇ INDICATES TO/FROM SUPERVISORY CONTROL SYSTEM. SEE DWG. E-30594, E-30595, E-30596 & E-30597.
- ◇ SHUTDOWN
- ◇ ALARM AND/OR PREMISSE
- REFER TO DWG. E-29002 FOR FLOW DIAGRAM OF FUEL SYSTEMS.

— REF. River Refinery

ILLINOIS		MASTER DRAWING YES/NO: NO
INSTRUMENT FLOW DIAGRAM		PLOT SCALE: 1=1
BOILER 16		SCALE: NONE
STEAM & AIR SYSTEM		SHEET 1 OF 1 REV.
ERS	CAP. INSTRUMENTS	E 29093 7
	TYPE OTHER DRAWINGS	

LEGEND

- ◇ INDICATES TO/FROM SUPERVISORY CONTROL SYSTEM. SEE DWG E-30504, E-30595, E-30596, & E-30597.
- ◇<sub>1</sub> SHUT DOWN.
- ◇<sub>2</sub> ALARM AND/OR PREMISSIVE.

GENERAL NOTES:

- 1) DWGS. E-46658 & E-46659 REPLACE DWG. E-29092.
- 2) REFER TO DWG. C-29093 FOR FLOW DIAGRAM OF STEAM AND AIR SYSTEMS.

EQUIPMENT ID NUMBERS

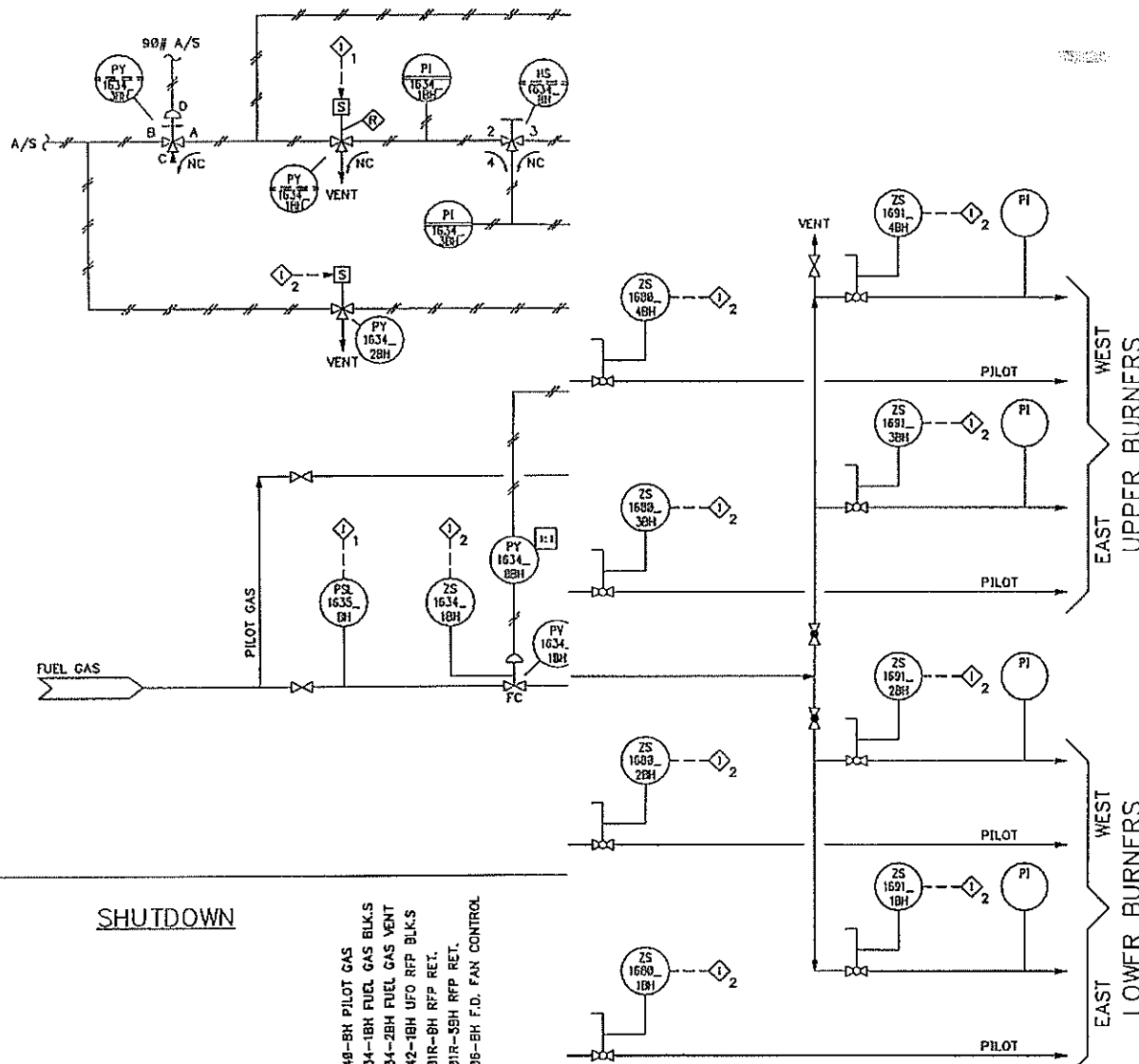
MICROFILM

REVISION DATE INITIAL

NOTICE- THIS DRAWING FORM INCLUDES IMPORTANT ATTRIBUTE INFORMATION. IT SHOULD NOT BE EXPLODED WITHOUT APPROVAL FROM WOOD RIVER REFINERY.

NOTICE- ANY ATTACHED XREF DRAWINGS MUST BE BOUND TO THIS DRAWING BEFORE DRAWING CAN BE ISSUED TO WOOD RIVER REFINERY.

THIS DOCUMENT IS THE PROPERTY OF WOOD RIVER REFINERY (WRRI). NEITHER THIS DOCUMENT NOR ANY DATA OR INFORMATION HEREON SHALL BE COPIED OR REPRODUCED IN ANY MANNER, EITHER WHOLLY OR IN PART, WITHOUT THE WRITTEN PERMISSION OF WRRI. WRRI ASSUMES NO LIABILITY FOR THE ACCURACY OF THIS DOCUMENT OR FOR THE CONSEQUENCES OF SUCH LOAN. WRRI WILL NOT BE RESPONSIBLE FOR THE LOSS OF OR DAMAGE TO THIS DOCUMENT OR FOR THE CONSEQUENCES OF SUCH LOAN. WRRI WILL NOT BE RESPONSIBLE FOR THE LOSS OF OR DAMAGE TO THIS DOCUMENT OR FOR THE CONSEQUENCES OF SUCH LOAN.



SHUTDOWN

	PY1648-BH PILOT GAS	
	PY1634-1BH FUEL GAS BLKS	
	PY1634-2BH FUEL GAS VENT	
	PY1642-1BH UFO RFP BLKS	
	FT1601R-BH RFP RET.	
	FT1601R-2BH RFP RET.	
	FT1608-BH F.D. FAN CONTROL	
FLAME FAILURE (2 BURNERS)		
FG SUPPLY PRESS PSL1635-1BH	X	
FG TO BURNERS PSL1637-1BH	X	
FG BLK.VAL. CLOSED ZS1634-1BH	X	
RFP-UFO SUPPLY PRESS PSL1632-1BH	X	
UFO BLK.VAL. OPEN ZS-16UFO	X	
COMBUST. AIR FLOW FSL1608-1BH	X	
F.D. FAN DISCH. PSL1617-1BH	X	
I.D. FAN SUCTION PSL1623-1BH	X	
EMERGENCY TRIP LOCAL	X	
EMERGENCY TRIP SUPERVISORY PANEL	X	
EMERGENCY TRIP PNEU. HS1608-1BH	X	
EMERGENCY TRIP UCC HS1696-1BH & 2BH	X	

Wood River Refinery		ILLINOIS	MASTER DRAWING YES/NO: NO
E29093	BOILER 16 STEAM & AIR FLOW S	INSTRUMENT FLOW DIAGRAM	PLOT SCALE: 1=1
D20487	TDC CONTROL SYSTEM	BOILER 16	SCALE: NONE
		FUEL & PILOT GAS SYSTEMS	SHEET 1 OF 1 REV.
		BOILERS	E 46659 2
		INSTRUMENTS	
		OTHER DRAWINGS	

- NOTES:
- FOR TO/FROM SUPERVISORY CONTRL SYSTEM DWGS. SEE SK-7095 THRU SK-7107 & SK-7110.
  - REFER TO E45857 & E45858 FOR FUEL SYSTEM.
  - ALL COMPLETE INSTRUMENT TAG NUMBERS INCLUDE SUFFIX \_BH UNLESS NOTED OTHERWISE.
  - DRAWING REVISED TO BE USED ON JOB C-39 BOILER #17 CONVERSION.
  - SEE DRAWING #422B4 FOR STEAM DRUM DETAILS.
  - NON-FUNCTIONING CHECK VALVE.
  - MECH. STOP ON HV-1783, PHYSICALLY STOPS VALVE FROM FULLY CLOSING. SET @ START-UP.
  - YARWAY TANDEM BLOWDOWN VALVE.

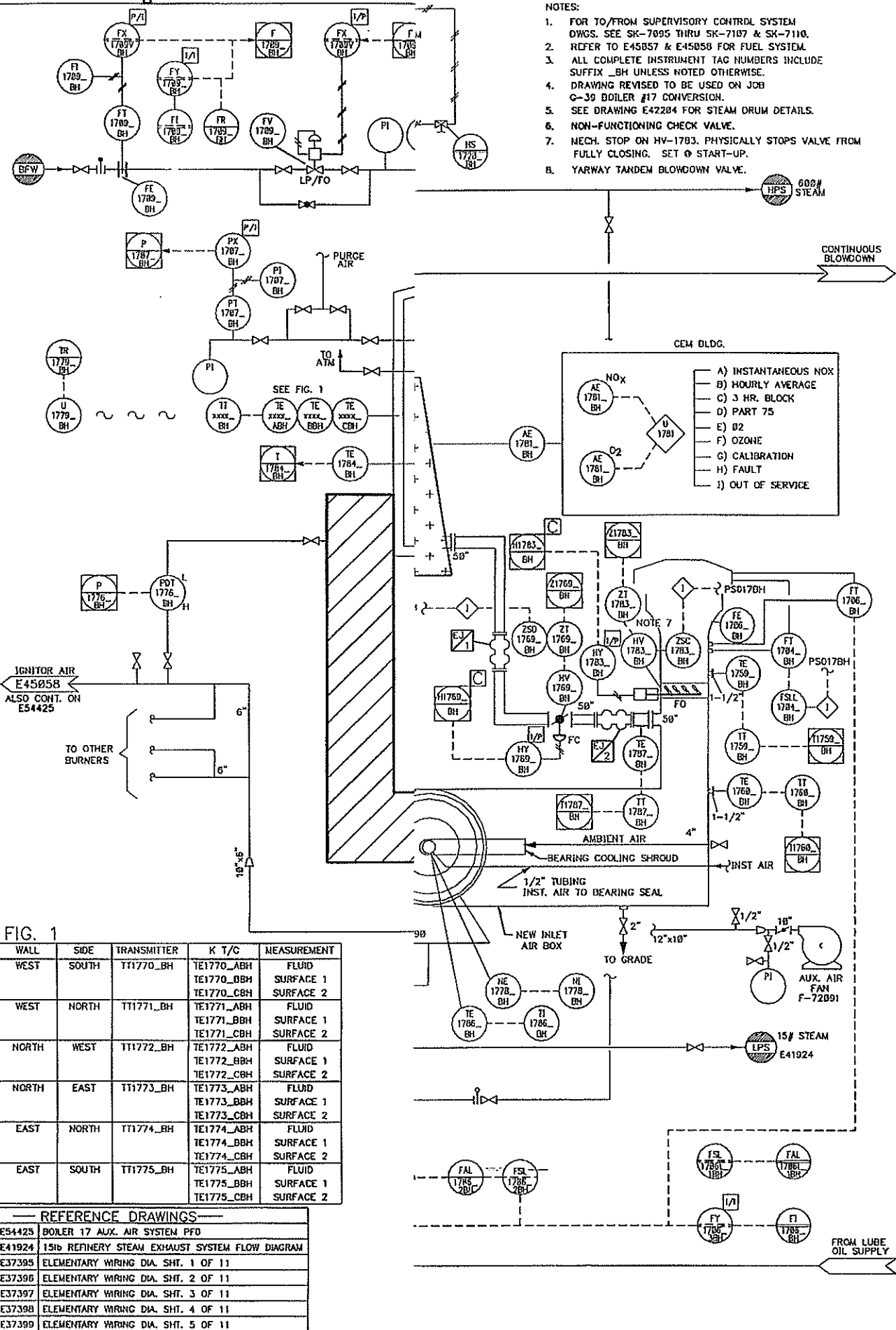


FIG. 1

WALL	SIDE	TRANSMITTER	K T/C	MEASUREMENT
WEST	SOUTH	TT1770_BH	TE1770_ABH	FLUID
			TE1770_BBH	SURFACE 1
			TE1770_CBH	SURFACE 2
WEST	NORTH	TT1771_BH	TE1771_ABH	FLUID
			TE1771_BBH	SURFACE 1
			TE1771_CBH	SURFACE 2
NORTH	WEST	TT1772_BH	TE1772_ABH	FLUID
			TE1772_BBH	SURFACE 1
			TE1772_CBH	SURFACE 2
NORTH	EAST	TT1773_BH	TE1773_ABH	FLUID
			TE1773_BBH	SURFACE 1
			TE1773_CBH	SURFACE 2
EAST	NORTH	TT1774_BH	TE1774_ABH	FLUID
			TE1774_BBH	SURFACE 1
			TE1774_CBH	SURFACE 2
EAST	SOUTH	TT1775_BH	TE1775_ABH	FLUID
			TE1775_BBH	SURFACE 1
			TE1775_CBH	SURFACE 2

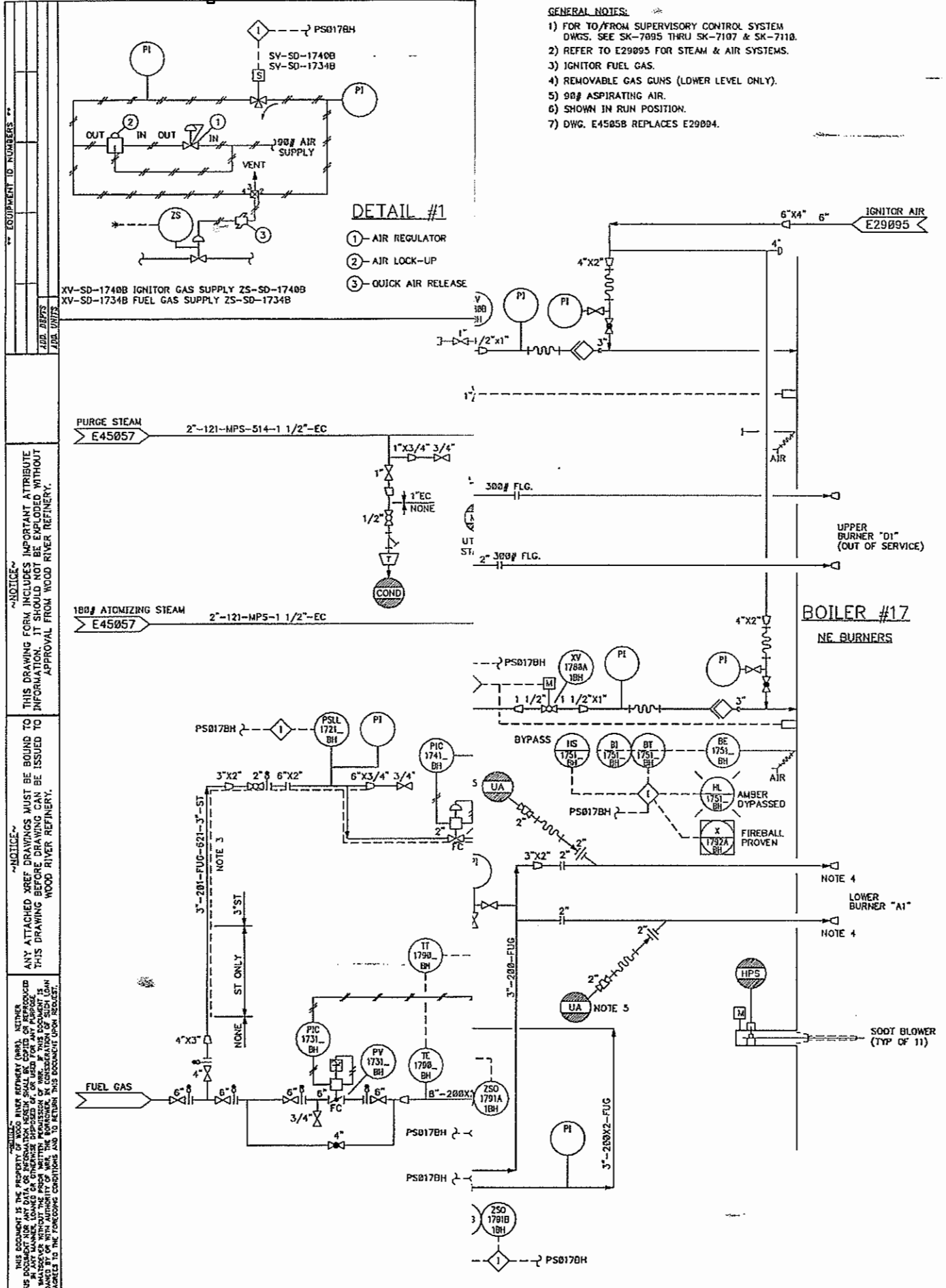
REFERENCE DRAWINGS

E54425	BOILER 17 AUX. AIR SYSTEM PFD
E41924	15b REFINERY STEAM EXHAUST SYSTEM FLOW DIAGRAM
E37395	ELEMENTARY WIRING DIA. SHT. 1 OF 11
E37396	ELEMENTARY WIRING DIA. SHT. 2 OF 11
E37397	ELEMENTARY WIRING DIA. SHT. 3 OF 11
E37398	ELEMENTARY WIRING DIA. SHT. 4 OF 11
E37399	ELEMENTARY WIRING DIA. SHT. 5 OF 11

THIS DOCUMENT IS THE PROPERTY OF WOOD RIVER REFINERY (WRRI). NETWORK INFORMATION FOR ANY DATA OR INFORMATION HEREIN SHALL BE COPIED OR REPRODUCED IN ANY MANNER WITHOUT THE WRITTEN PERMISSION OF WRRI. THIS DOCUMENT IS LOANED BY YOU WITH THE UNDERSTANDING THAT YOU WILL NOT REPRODUCE OR DISSEMINATE TO THE PUBLIC OR TO OTHERS ANY INFORMATION CONTAINED HEREIN WITHOUT THE WRITTEN PERMISSION OF WRRI.

ANY ATTACHED XREF DRAWINGS MUST BE BOUND TO THIS DRAWING FORM INCLUDING IMPORTANT ATTRIBUTE INFORMATION. IT SHOULD NOT BE EXPLODED WITHOUT APPROVAL FROM WOOD RIVER REFINERY.

MICROFILM  
 REVISED DATE INITIAL  
 ADD. DESIGNS  
 FILE SHEETS



GENERAL NOTES:

- 1) FOR TO/FROM SUPERVISORY CONTROL SYSTEM DWGS. SEE SK-7095 THRU SK-7107 & SK-7110.
- 2) REFER TO E29095 FOR STEAM & AIR SYSTEMS.
- 3) IGNITOR FUEL GAS.
- 4) REMOVABLE GAS GUNS (LOWER LEVEL ONLY).
- 5) 90# ASPIRATING AIR.
- 6) SHOWN IN RUN POSITION.
- 7) DWG. E4505B REPLACES E29094.

DETAIL #1

- 1 - AIR REGULATOR
- 2 - AIR LOCK-UP
- 3 - QUICK AIR RELEASE

XV-SD-1740B IGNITOR GAS SUPPLY ZS-SD-1740B  
 XV-SD-1734B FUEL GAS SUPPLY ZS-SD-1734B

~NOTICE~  
 THIS DRAWING FORM INCLUDES IMPORTANT ATTRIBUTE INFORMATION. IT SHOULD NOT BE EXPLODED WITHOUT APPROVAL FROM WOOD RIVER REFINERY.

~NOTICE~  
 ANY ATTACHED XREF DRAWINGS MUST BE BOUND TO THIS DRAWING BEFORE DRAWING CAN BE ISSUED TO WOOD RIVER REFINERY.

~NOTICE~  
 THIS DOCUMENT IS THE PROPERTY OF WOOD RIVER REFINERY (WRR). NEITHER THE DOCUMENT NOR ANY DATA OR INFORMATION HEREIN SHALL BE COPIED OR REPRODUCED IN ANY MANNER WITHOUT THE PRIOR WRITTEN PERMISSION OF WRR. IF THIS DOCUMENT IS LOANED BY OR WITH AUTHORITY OF WRR, THE BORROWER IN CONSIDERATION OF SUCH LOAN AGREES TO THE FOREGOING CONDITIONS AND TO RETURN THIS DOCUMENT UPON REQUEST.

Food River Refinery		ILLINOIS	MASTER DRAWING YES/NO: YES
F7309	PIPING - BOILER 17 EAST ELEVAT		PLOT SCALE: NONE
SK6563	BOILER 17 MECHANICAL FLOW DIA		SCALE: NONE
E54425	BOILER 17 AUXILIARY AIR SYSTEM		SHEET 1 OF 1 REV.
TIES	CAT.	GENERAL	E 45058 6
17	TYPE	P&M DWG	



ILLINOIS ENVIRONMENTAL PROTECTION AGENCY

1021 NORTH GRAND AVENUE EAST, P.O. BOX 19506, SPRINGFIELD, ILLINOIS 62794-9506 - (217) 782-2113

PAT QUINN, GOVERNOR

LISA BONNETT, INTERIM DIRECTOR

Technical Recommendation for Tax Certification Approval

Date: November 03, 2011  
To: Robb Layman  
From: Edwin C. Bakowski *11/8/11*  
Subject: WRB Refining, LLC. TC-10-10-14AP

This Agency received a request on October 14, 2010 from WRB Refining, LLC. for an Illinois EPA recommendation regarding tax certification of air pollution control facilities pursuant to 35 Ill. Adm. Code 125.204. I offer the following recommendation.

The air pollution control facilities in this request include the following:

Analyzer Systems on Boilers 15, 16, and 17 stacks as the new analyzers which require boiler operation to reduce NO<sub>x</sub> emissions. Because the primary purpose of this system is to reduce or eliminate air pollution, it is certified as a pollution control facility.

This facility is located at 900 South Central Avenue, Roxana, Madison County  
The property identification number is 19-1-08-35-00-000-001

Based on the information included in this submittal, it is my engineering judgement that the proposed facility may be considered "Pollution Control Facilities" under 35 IAC 125.200(a), with the primary purpose of eliminating, preventing, or reducing air pollution, or as otherwise provided in this section, and therefore eligible for tax certification from the Illinois Pollution Control Board. Therefore, it is my recommendation that the Board issue the requested tax Certification for this facility.

FEM:psj

*Exhibit B*